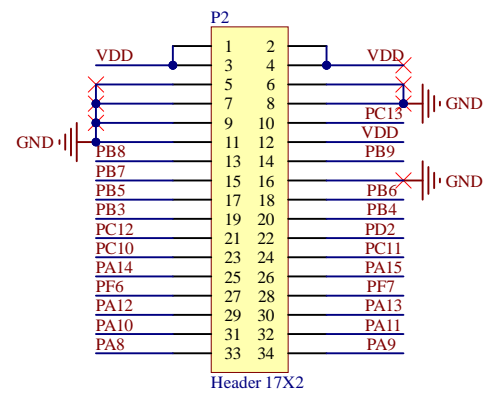
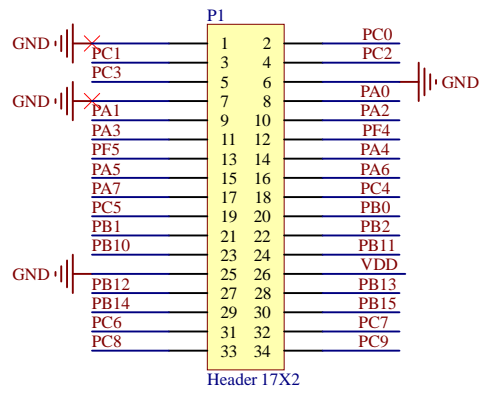
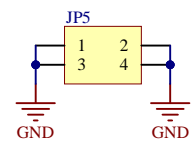


Geehy

ProjectName	APM32E030R Micro-EVB V1.0		
DocumentName	Minisystem.SchDoc		
Page Number	1/2	Date	20241204



排针



Geehy	ProjectName	APM32E030R Micro-EVB V1.0		
	DocumentName	ExtensionConnector.SchDoc		
	Page Number	2/2	Date	20241204

