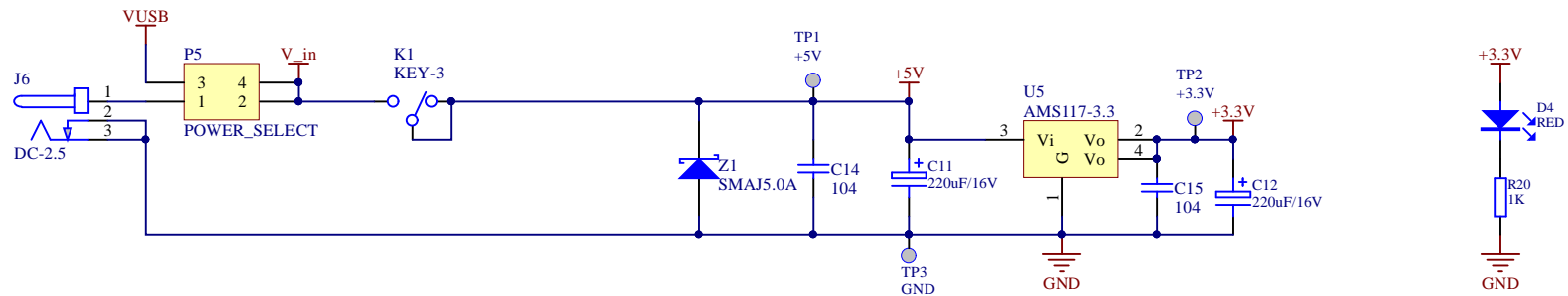
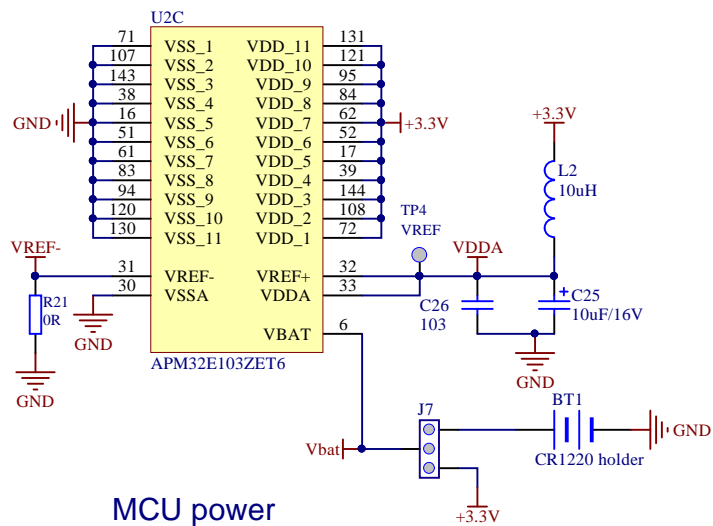
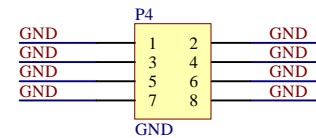
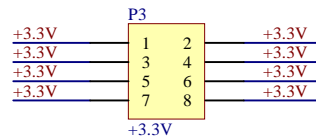
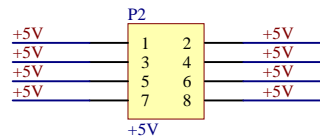


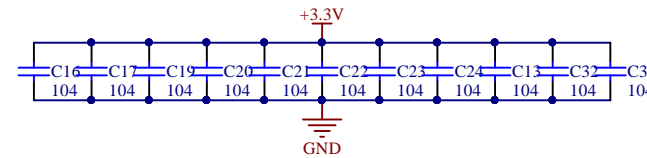
Page1:Power Supply.SchDoc




Power regulator



MCU power



 http://www.geehy.com	ProjectName	APM32E103ZE EVAL
	DocumentName	Power
	Page Number	1/7

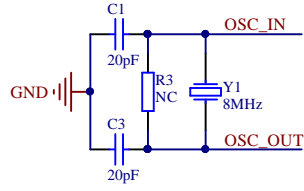
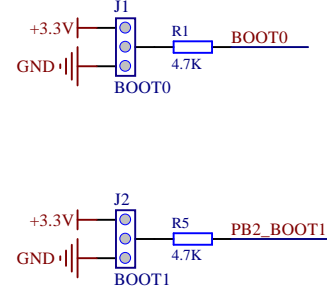
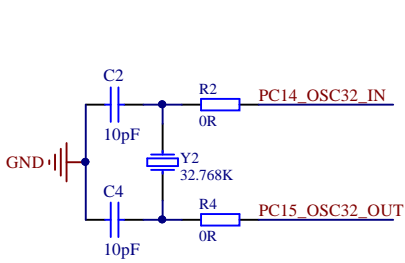
PA0	PA0_KEY_WKUP	34
PA1	PA1_LCD_RES	35
PA2	PA2_USART2_TX	36
PA3	PA3_USART2_RX	37
PA4	PA4_LCD_CS	40
PA5	PA5_LCD_CLK	41
PA6	PA6_LCD_DO	42
PA7	PA7_LCD_DC	43
PA8	PA8_LCD_BLK	100
PA9	PA9_USART1_TX	101
PA10	PA10_USART1_RX	102
PA11	PA11_USBDDB	103
PA12	PA12_USBDDB	104
PA13	PA13_SWDIO	105
PA14	PA14_SWCLK	109
PA15	PA15_SPI3_NSS_TDI	110

PA0/WKUP/ADC123_IN0	PC0/ADC123_IN10	26	PC0
PA1/ADC123_IN1	PC1/ADC123_IN11	27	PC1
PA2/USART2_TX/ADC123_IN2	PC2/ADC123_IN12	28	PC2
PA3/USART2_RX/ADC123_IN3	PC3/ADC123_IN13	29	PC3
PA4/SPI1_NSS/ADC12_IN4	PC4/ADC12_IN14	44	PC4
PA5/SPI1_SCK/ADC12_IN5	PC5/ADC12_IN15	45	PC5
PA6/SPI1_MISO/ADC12_IN6	PC6/SDIO_D6	96	PC6
PA7/SPI1_MOSI/ADC12_IN7	PC7/SDIO_D7	97	PC7
PA8	PC8/SDIO_D0	98	PC8
PA9/USART1_TX	PC9/SDIO_D1	99	PC9
PA10/USART1_RX	PC10/UART4_TX/SDIO_D2/DMC_DQ8	111	PC10
PA11/USBDDB/CAN1_RX	PC11/UART4_RX/SDIO_D3/DMC_DQ9	112	PC11
PA12/USBDDB/CAN1_TX	PC12/UART5_TX/SDIO_CLK	113	PC12
PA13/JTMS/SWDIO	PC13-ANTI_TAMP	7	PC13
PA14/JTCK/SWCLK	PC14-OSC32_IN	8	PC14
PA15/JTDI/SPI3_NSS	PC15-OSC32_OUT	9	PC15

PB0	46	
PB1	47	
PB2	PB2_BOOT1	48
PB3	PB3_SPI3_SCK_TDO	133
PB4	PB4_SPI3_MISO_TRST	34
PB5	PB5_SPI3_MOSI	135
PB6	PB6_I2C1_SCL	136
PB7	PB7_I2C1_SDA	137
PB8	PB8_CAN1_RX	139
PB9	PB9_CAN1_TX	140
PB10	PB10_DMC_UDQM	69
PB11	PB11_DMC_CKE	70
PB12	PB12_CAN2_RX	73
PB13	PB13_CAN2_TX	74
PB14	75	
PB15	76	

PB0/ADC12_IN8	PD0	114	PD0
PB1/ADC12_IN9	PD1	115	PD1
PB2/BOOT1	PD2/UART5_RX/SDIO_SMD/DMC_DQ10	116	PD2
PB3/JTDO/SPI3_SCK	PD3/DMC_DQ11	117	PD3
PB4/NJTRST/SPI3_MISO	PD4/DMC_DQ12	118	PD4
PB5/SPI3_MOSI	PD5/DMC_DQ13	119	PD5
PB6/I2C1_SCL	PD6/DMC_DQ14	122	PD6
PB7/I2C1_SDA	PD7	123	PD7
PB8/SDIO_D4/CAN1_RX	PD8/USART3_TX	77	PD8
PB9/SDIO_D5/CAN1_TX	PD9/USART3_RX	78	PD9
PB10/I2C2_SCL/USART3_TX/DMC_UDQM	PD10	79	PD10
PB11/I2C2_SDA/USART3_RX/DMC_CKE	PD11	80	PD11
PB12/SPI2_NSS/CAN2_RX	PD12	81	PD12
PB13/SPI2_SCK/CAN2_TX	PD13	82	PD13
PB14/SPI2_MISO	PD14	85	PD14
PB15/SPI2_MOSI	PD15	86	PD15


APM32E103ZET6

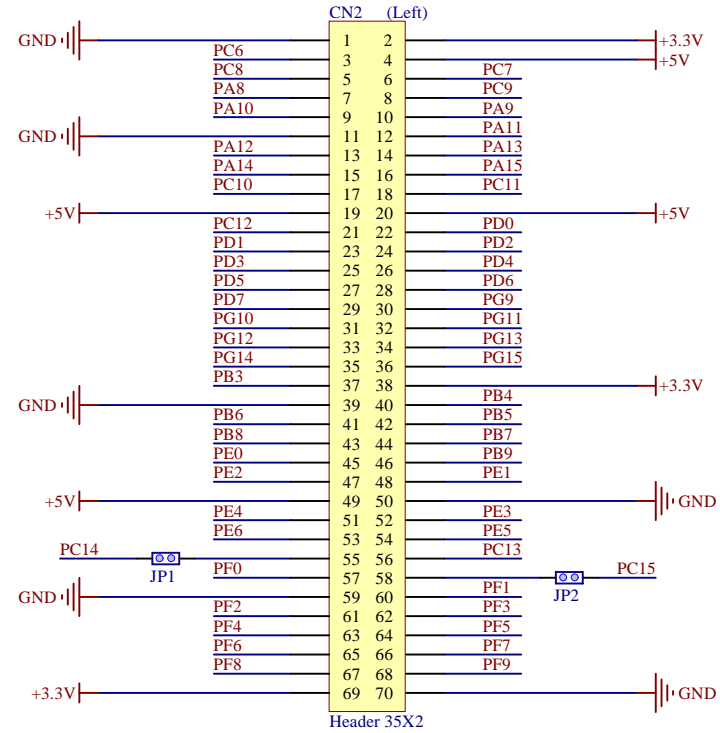
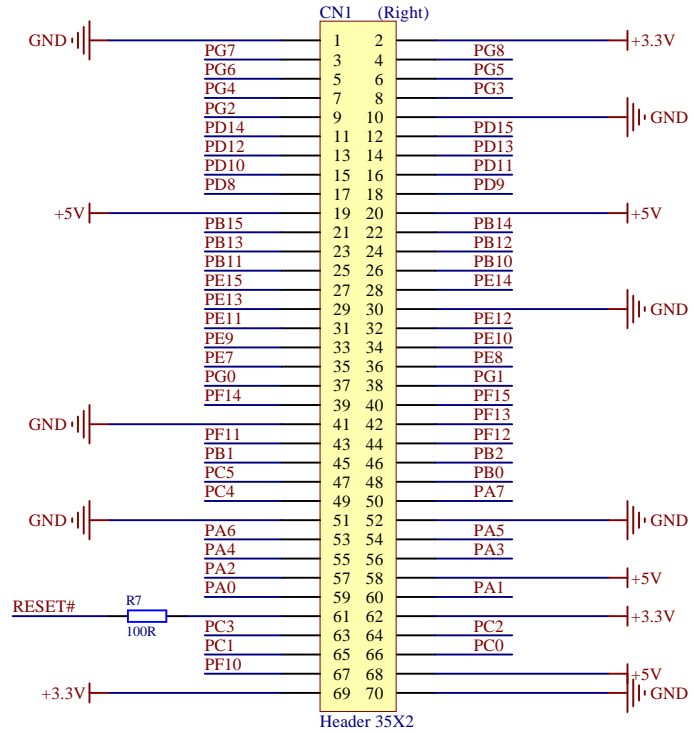


PG0	PG0_DMC_A3	56
PG1	57	
PG2	87	
PG3	88	
PG4	89	
PG5	90	
PG6	91	
PG7	92	
PG8	93	
PG9	PG9_DMC_D15	124
PG10	125	
PG11	126	
PG12	PG12_DMC_D0	127
PG13	PG13_DMC_D1	128
PG14	PG14_DMC_D2	129
PG15	PG15_DMC_D3	132
BOOT0	138	
OSC_IN	23	
OSC_OUT	24	
RESET#	25	


PG0/DMC_A3	PE0	141	PE0
PG1	PE1	142	PE1
PG2	PE2	1	PE2
PG3	PE3	2	PE3
PG4	PE4	3	PE4
PG5	PE5	4	PE5
PG6	PE6	5	PE6
PG7	PE7	58	PE7
PG8	PE8	59	PE8
PG9/DMC_DQ15	PE9	60	PE9
PG10	PE10	63	PE10
PG11	PE11	64	PE11
PG12/DMC_DQ0	PE12	65	PE12
PG13/DMC_DQ1	PE13	66	PE13
PG14/DMC_DQ2	PE14	67	PE14
PG15/DMC_DQ3	PE15	68	PE15
BOOT0	PF0	10	PF0
NC	PF1	11	PF1
OSC_IN	PF2	12	PF2
OSC_OUT	PF3	13	PF3
OSC_OUT	PF4	14	PF4
OSC_OUT	PF5	15	PF5
OSC_OUT	PF6	18	PF6
OSC_OUT	PF7	19	PF7
OSC_OUT	PF8	20	PF8
OSC_OUT	PF9	21	PF9
OSC_OUT	PF10	22	PF10
OSC_OUT	PF11	49	PF11
OSC_OUT	PF12	50	PF12
OSC_OUT	PF13	53	PF13
OSC_OUT	PF14	54	PF14
OSC_OUT	PF15	55	PF15

APM32E103ZET6

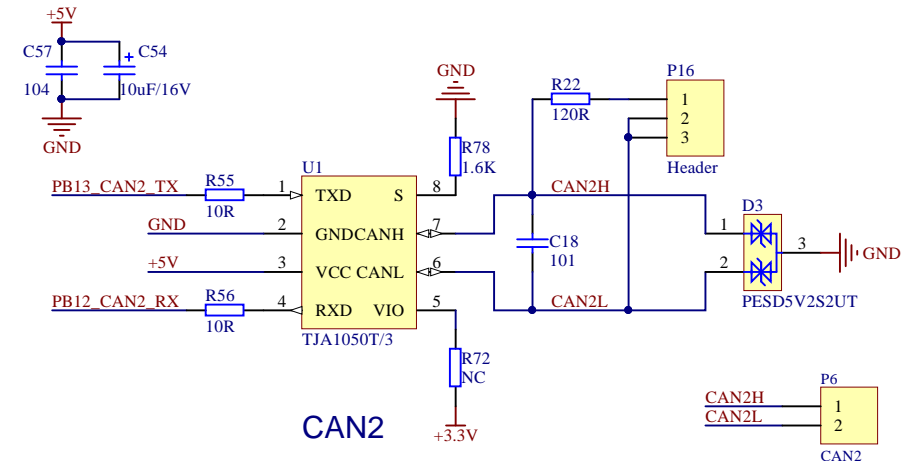
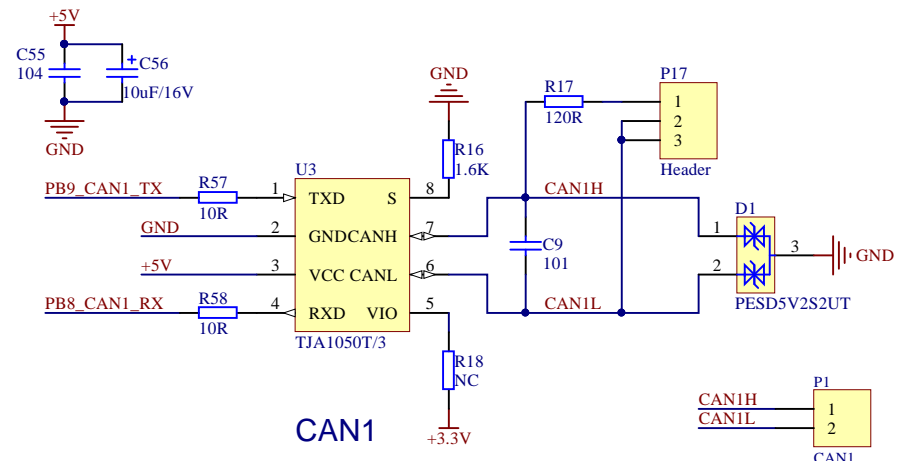
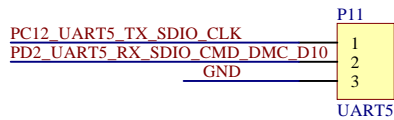
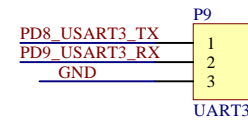
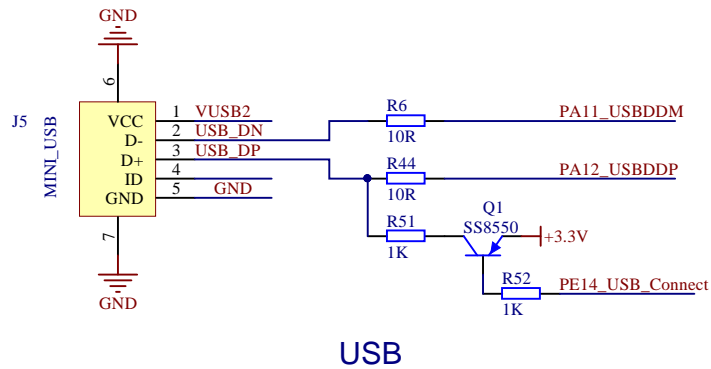
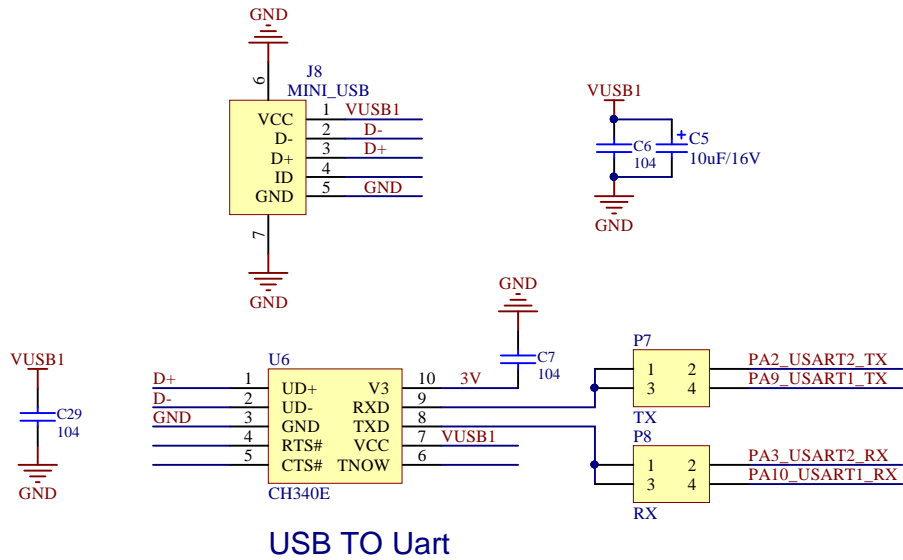
 http://www.geehy.com	ProjectName	APM32E103ZE EVAL
	DocumentName	MCU
	Page Number	2/7



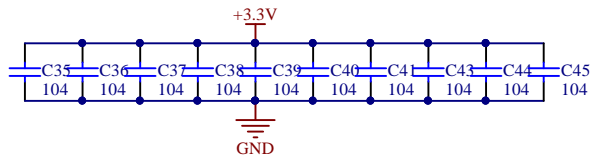
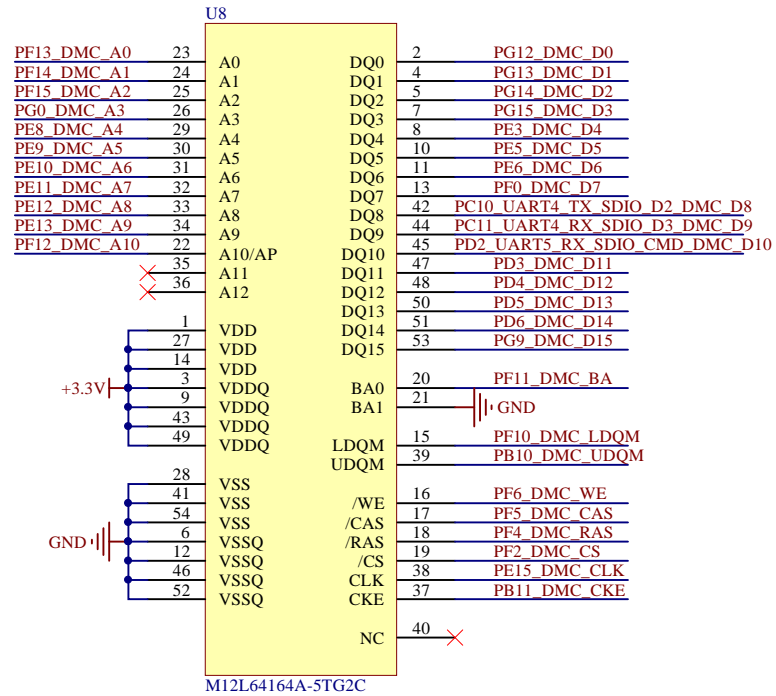
Extension connector

 http://www.geehy.com	ProjectName	APM32E103ZE EVAL
	DocumentName	MCU_Connector
	Page Number	3/7

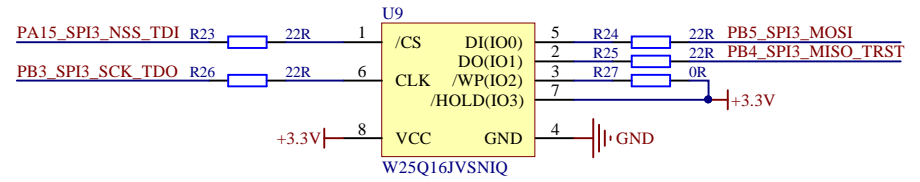
Page4:Communication.SchDoc



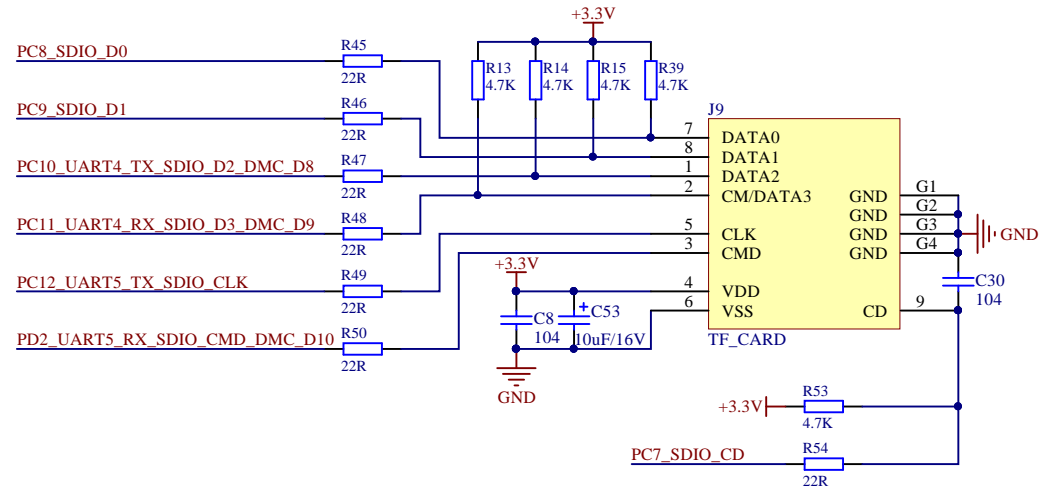
 http://www.geehy.com	ProjectName	APM32E103ZE EVAL
	DocumentName	Communication
	Page Number	4/7



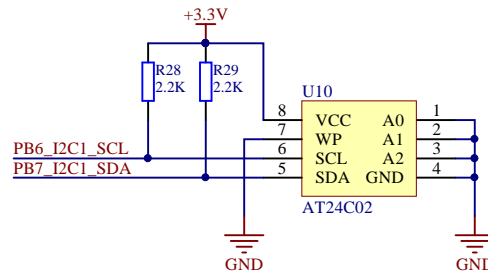
SDRAM



SPI_FLASH



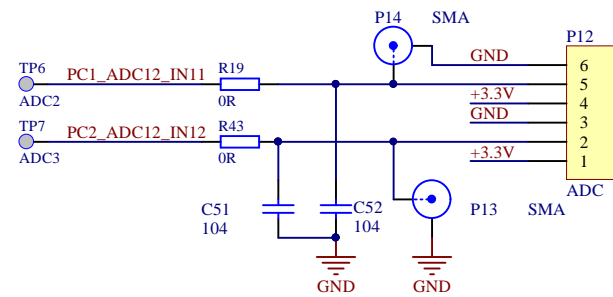
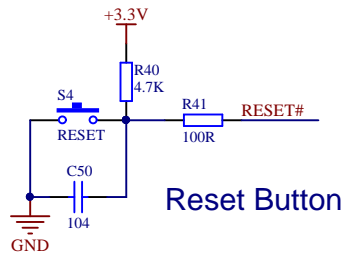
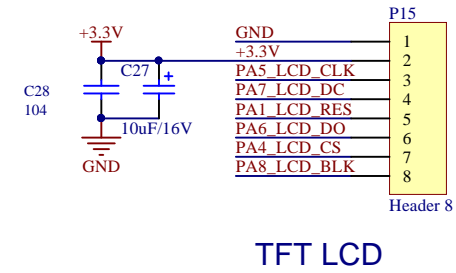
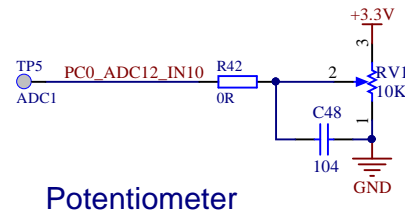
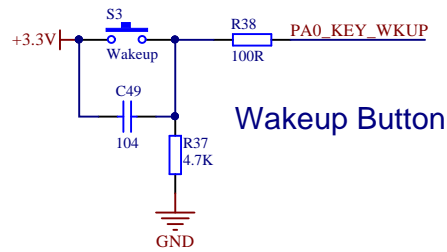
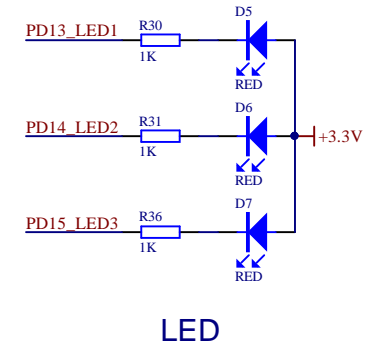
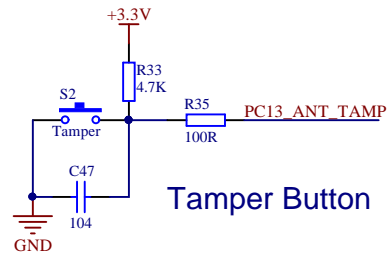
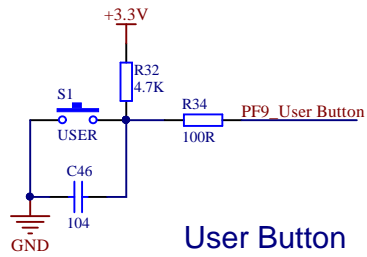
TF_CARD




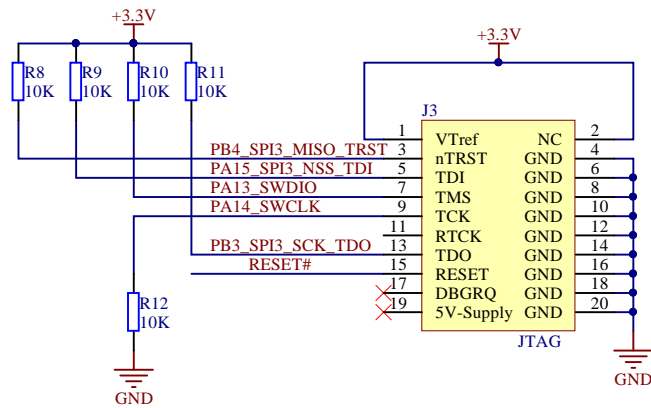
EEPROM

 http://www.geehy.com	ProjectName	APM32E103ZE EVAL
	DocumentName	Memory
	Page Number	5/7

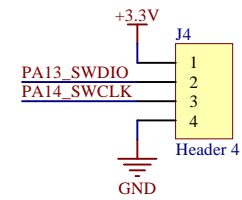
Page6:Display&Button.SchDoc




 http://www.geehy.com	ProjectName	APM32E103ZE EVAL
	DocumentName	Display&Button
	Page Number	6/7



JTAG connector



SWD

 http://www.geehy.com	ProjectName	APM32E103ZE EVAL
	DocumentName	JTAG&SWD
	Page Number	7/7