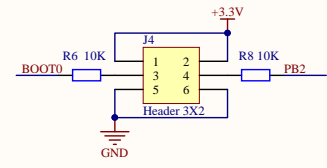
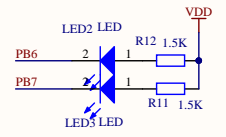
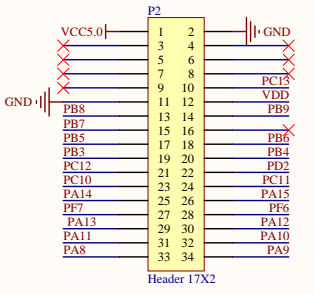
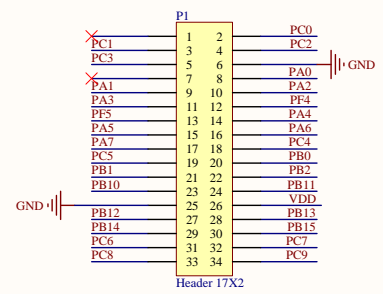
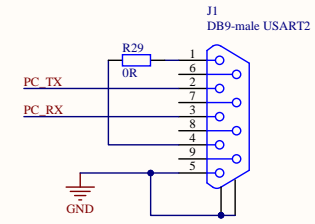


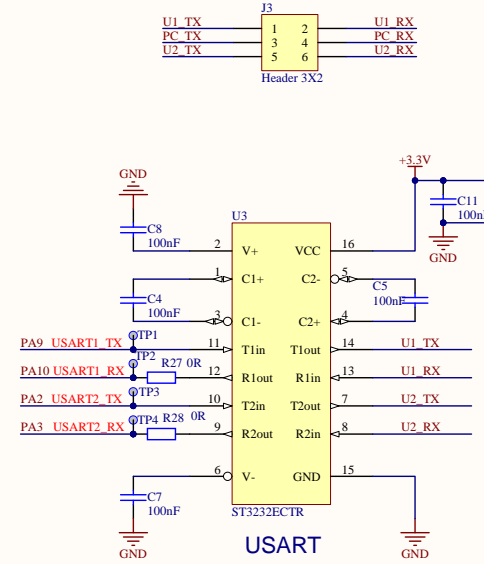
POWER



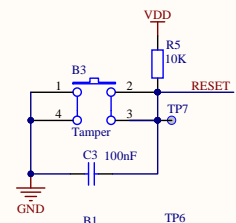
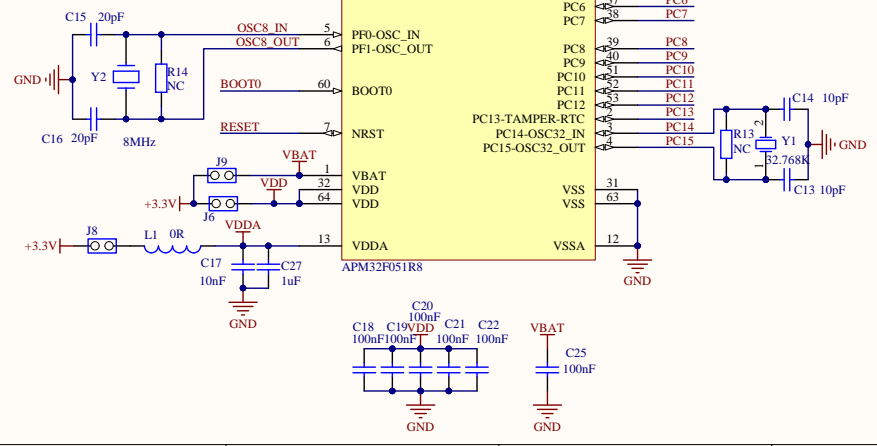
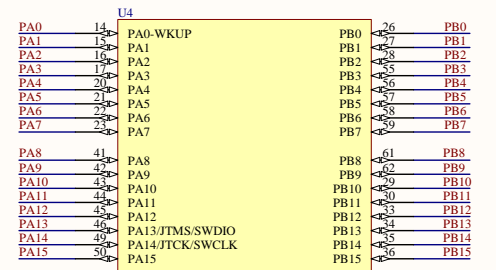
BOOT



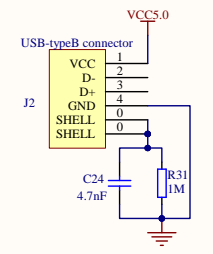
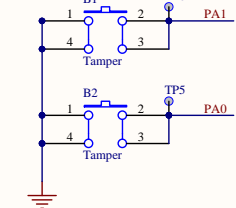
LED



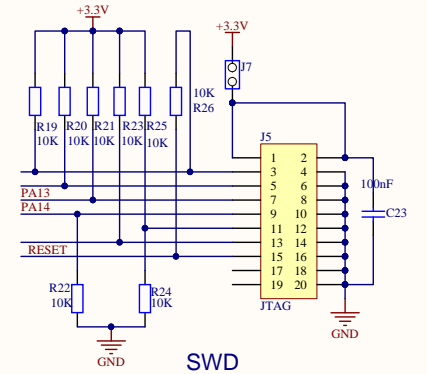
USART



KEY



USB-5VIN



SWD

Company: Geehy Semiconductor Co.,Ltd.		
Title: APM32F051R8 MINIBOARD		
Revision: 1.0	Date: 20201022	Sheet 1 of 1