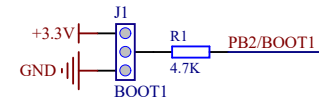
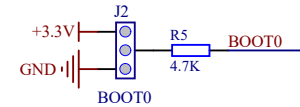
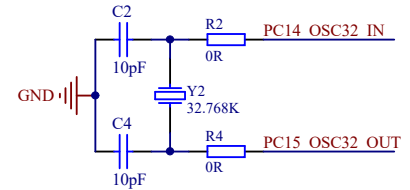
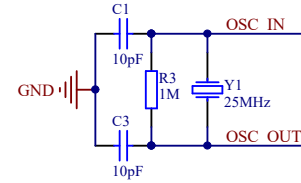

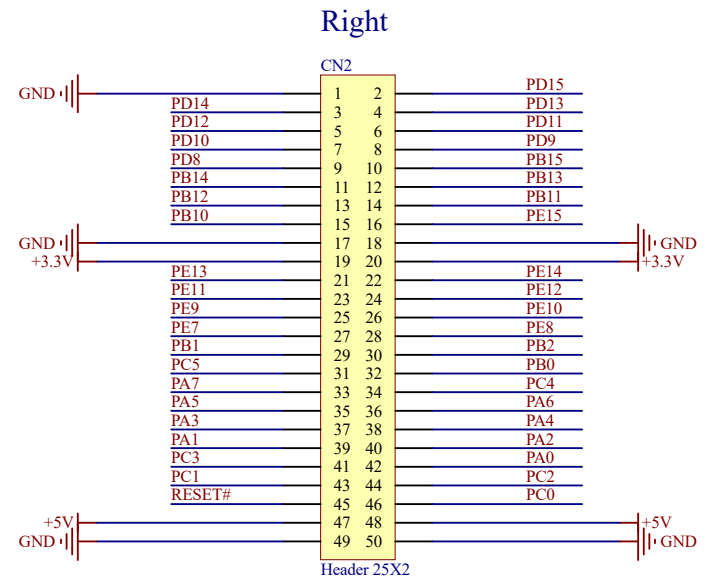
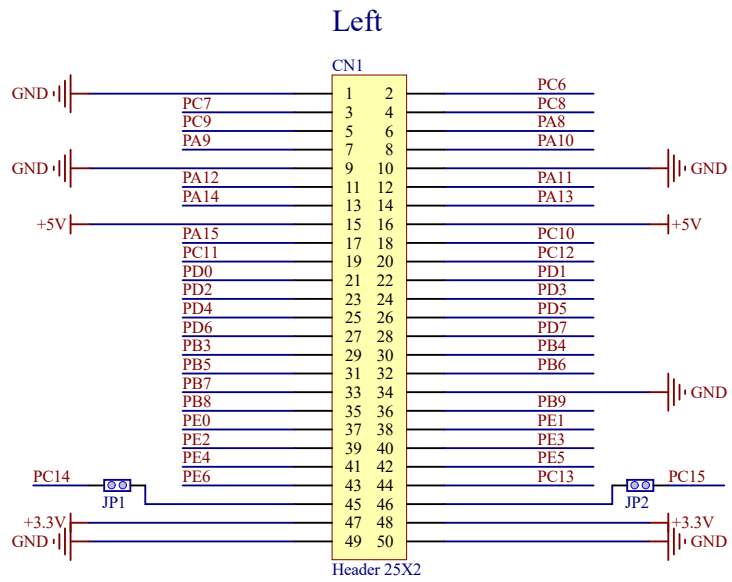



| UIA | | APM32F107xC | |
|------|-------------------------------------|-------------|-----------------------------------|
| PA0 | PA0/ETH MII CRS | 23 | PA0/WKUP |
| PA1 | PA1/ETH MII RX CLK/ETH RMII REF CLK | 24 | PA1 |
| PA2 | PA2/ETH MII MDIO | 25 | PA2 |
| PA3 | PA3/ETH MII COL | 26 | PA3 |
| PA4 | PA4/SPI1 NSS | 29 | PA4 |
| PA5 | PA5/SPI1 SCK | 30 | PA5 |
| PA6 | PA6 LCD DC | 31 | PA6 |
| PA7 | PA7/SPH MOSI | 32 | PA7 |
| PA8 | PA8/MCO | 67 | PA8 |
| PA9 | PA9/OTG FS VBUS | 68 | PA9 |
| PA10 | PA10/OTG FS ID | 69 | PA10 |
| PA11 | PA11/OTG FS DM | 70 | PA11 |
| PA12 | PA12/OTG FS DP | 71 | PA12 |
| PA13 | PA13/JTMS/SWDIO | 72 | PA13/JTMS/SWDIO |
| PA14 | PA14/JTCK/SWCLK | 76 | PA14/JTCK/SWCLK |
| PA15 | PA15/SPI3 NSS/TDI | 77 | PA15/JTDI |
| PB0 | | 35 | PB0 |
| PB1 | PB1 LCD RES | 36 | PB1 |
| PB2 | PB2/BOOT1 | 37 | PB2/BOOT1 |
| PB3 | PB3/SPI3/SCK/TDO | 89 | PB3/TDO |
| PB4 | PB4/SPI3 MISO/TRST | 90 | PB4/TRST |
| PB5 | PB5/SPI3 MOSI | 91 | PB5 |
| PB6 | PB6/I2C1 SCL | 92 | PB6 |
| PB7 | PB7/I2C1 SDA | 93 | PB7 |
| PB8 | PB8/CAN1 RX/ETH MII TXD3 | 95 | PB8 |
| PB9 | PB9/CAN1 TX | 96 | PB9 |
| PB10 | PB10/ETH MII RX ER | 47 | PB10 |
| PB11 | PB11/ETH MII TX EN | 48 | PB11 |
| PB12 | PB12/CAN2 RX/ETH MII TXD0 | 51 | PB12 |
| PB13 | PB13/CAN2 TX/ETH MII TXD1 | 52 | PB13 |
| PB14 | | 53 | PB14 |
| PB15 | | 54 | PB15 |
| | OSC IN | 12 | OSC_IN |
| | OSC OUT | 13 | OSC_OUT |
| | RESET# | 14 | NRST |
| | BOOT0 | 94 | BOOT0 |
| | | 73 | NC |
| | | | PC15-OSC32 OUT |
| | | | PC14-OSC32 IN |
| | | | PC13 BUZZ |
| | | | PC12 |
| | | | PC11/UART4 RX |
| | | | PC10/UART4 TX |
| | | | PC9 |
| | | | PC8 |
| | | | PC7 USB PowerSwitchOn |
| | | | PC6 485 DE |
| | | | PC5 |
| | | | PC4/MII INT |
| | | | PC3/ETH MII TX CLK |
| | | | PC2/ETH MII TXD2 |
| | | | PC1/ETH MII MDC |
| | | | PC0/ADC12 IN10 |
| | | | PD15 |
| | | | PD14 USB Connect |
| | | | PD13 |
| | | | PD12/ETH MII RXD3 |
| | | | PD11/ETH MII RXD2 |
| | | | PD10/ETH MII RXD1 |
| | | | PD9/ETH MII RXD0 |
| | | | PD8/ETH MII RX DV/ETH RMII CRS DV |
| | | | PD7 |
| | | | PD6/USART2 RX |
| | | | PD5/USART2 TX |
| | | | PD4 |
| | | | PD3 |
| | | | PD2 |
| | | | PD1 |
| | | | PD0 |
| | | | PE15 |
| | | | PE14 User Button |
| | | | PE13 |
| | | | PE12 User Button |
| | | | PE11 |
| | | | PE10 User Button |
| | | | PE9 LED3 |
| | | | PE8 LED2 |
| | | | PE7 LED1 |
| | | | PE6 LCD BLK |
| | | | PE5 |
| | | | PE4 |
| | | | PE3 |
| | | | PE2 |
| | | | PE1 |
| | | | PE0 |

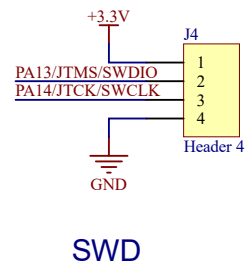
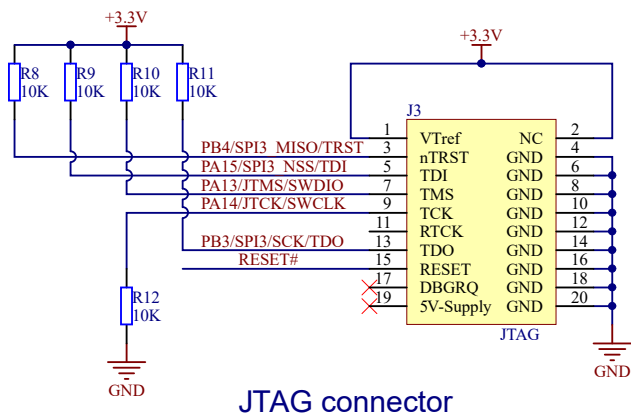



| | | |
|--|--------------|------------------|
|  http://www.geehy.com | ProjectName | APM32F107VC EVAL |
| | DocumentName | MCU |
| | Page Number | 1/8 |

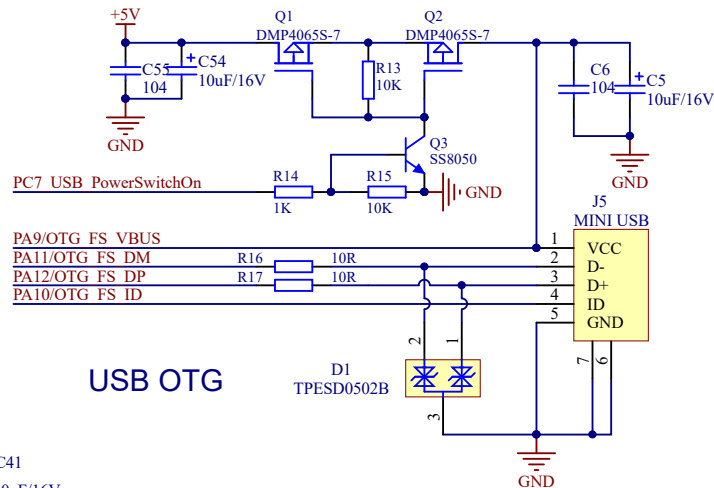


Extension connector

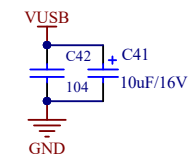
| | | |
|--|--------------|------------------|
|  http://www.geehy.com | ProjectName | APM32F107VC EVAL |
| | DocumentName | MCU_Connector |
| | Page Number | 2/8 |



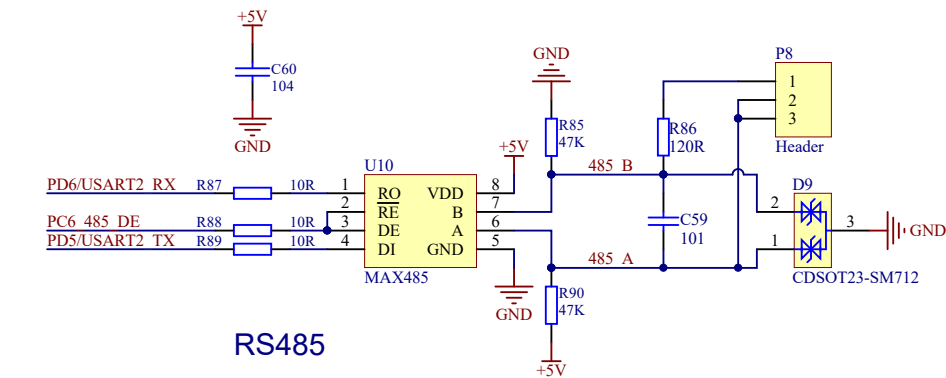
| | | |
|--|--------------|------------------|
|  http://www.geehy.com | ProjectName | APM32F107VC EVAL |
| | DocumentName | JTAG&SWD |
| | Page Number | 3/8 |



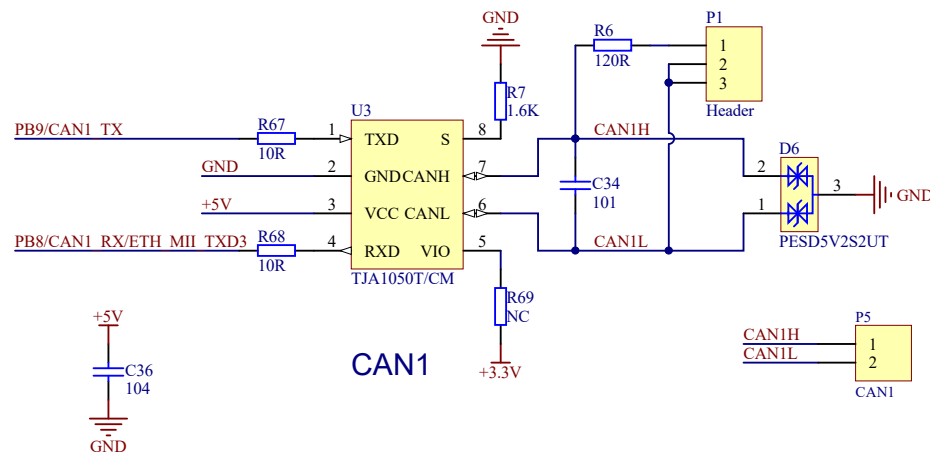
USB OTG



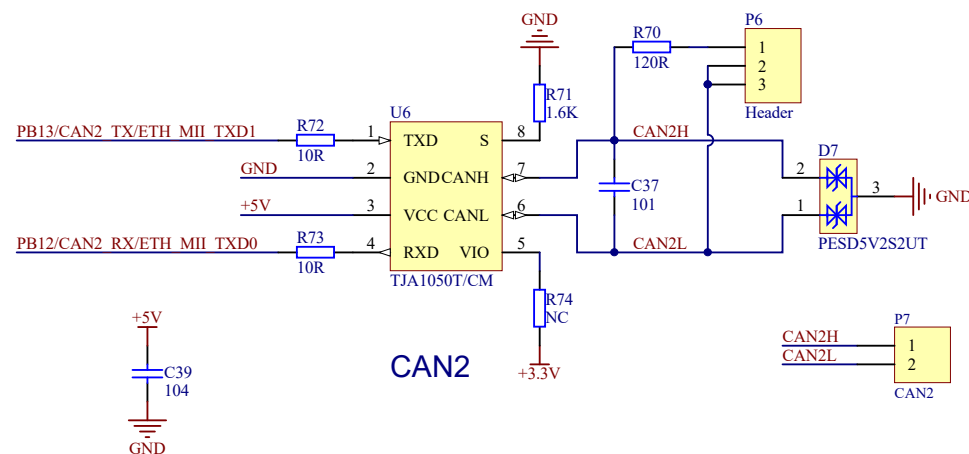
USB TO Uart




RS485

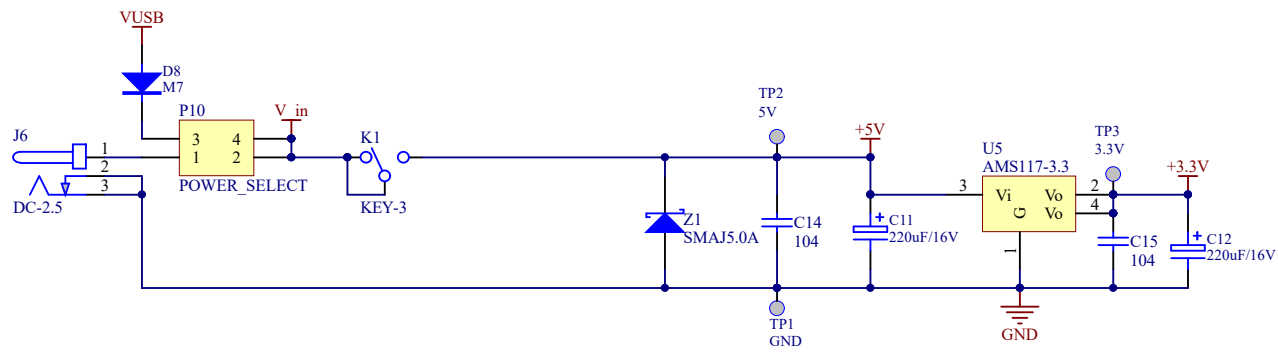


CAN1

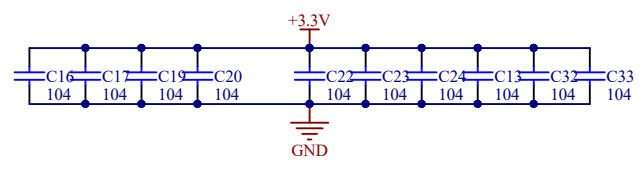
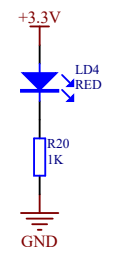
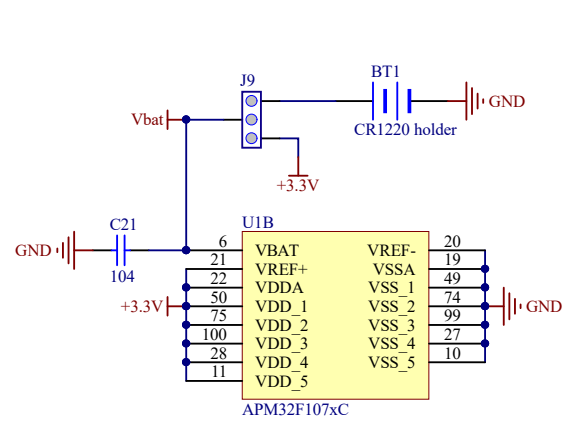
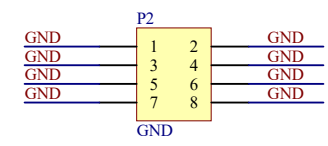
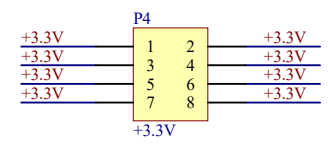
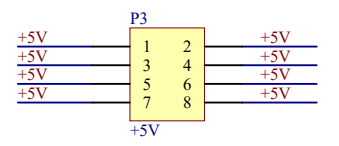


CAN2

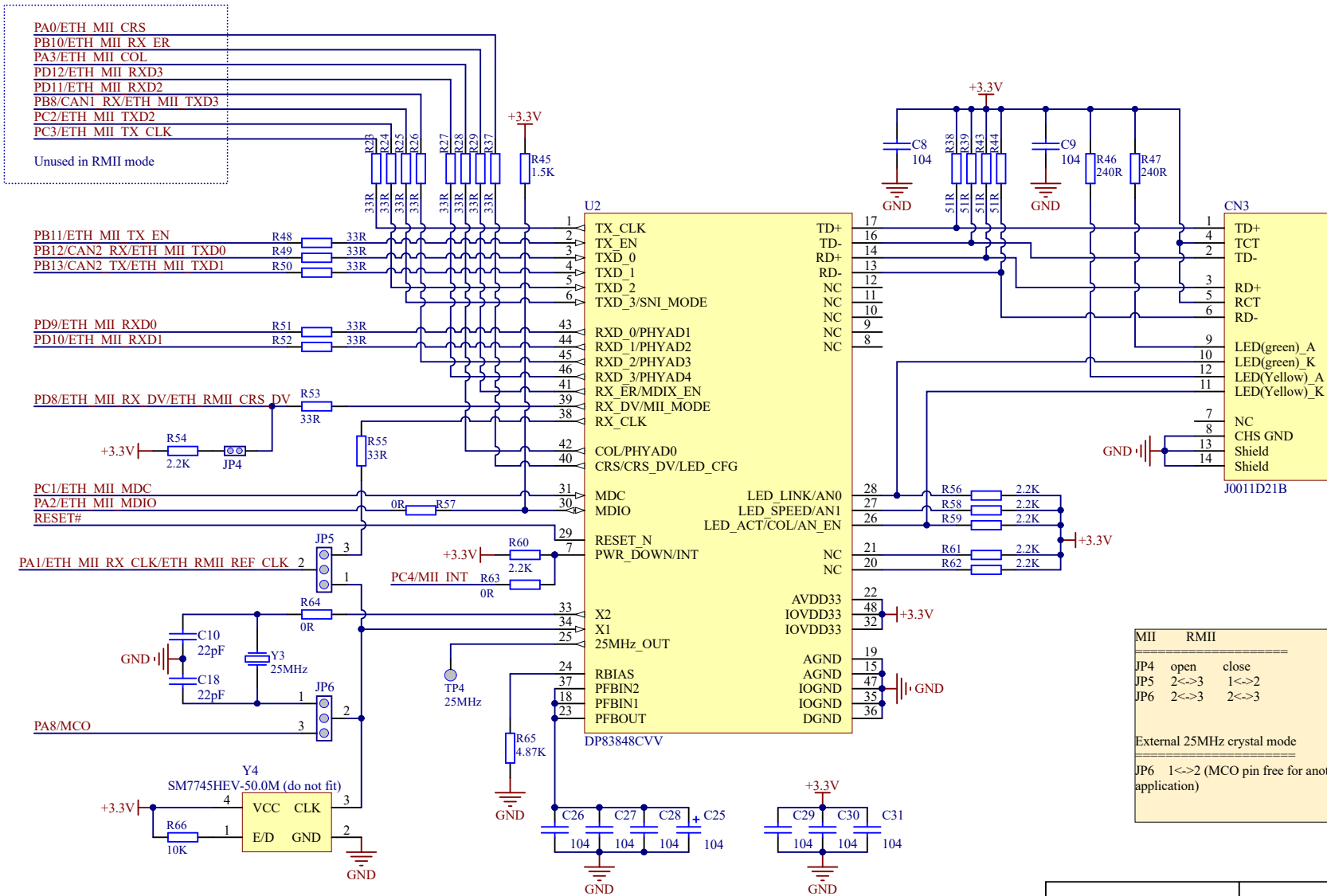
| | | |
|--|--------------|------------------|
|  http://www.geehy.com | ProjectName | APM32F107VC EVAL |
| | DocumentName | Communication |
| | Page Number | 4/8 |

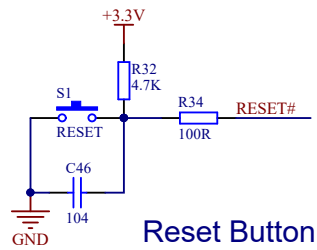


Power regulator

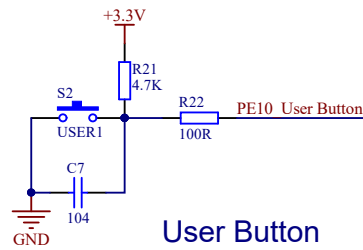


| | | |
|---|--------------|------------------|
| http://www.geehy.com | ProjectName | APM32F107VC EVAL |
| | DocumentName | Power |
| | Page Number | 5/8 |

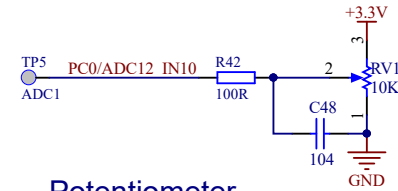




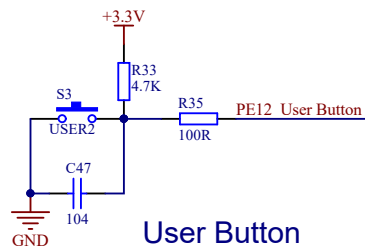
Reset Button



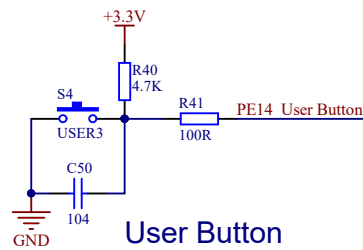
User Button



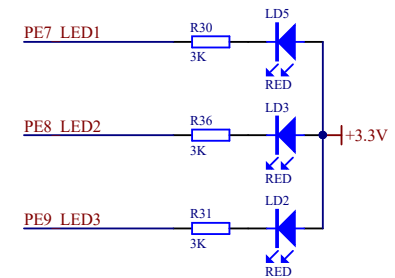
Potentiometer



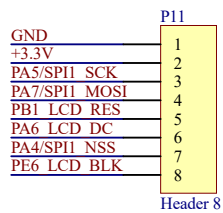
User Button



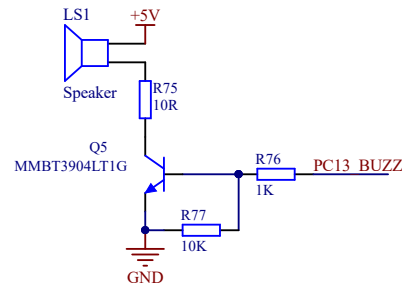
User Button



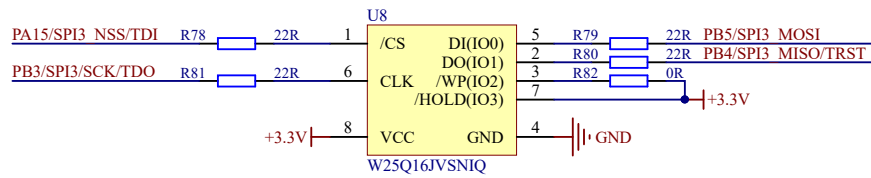
LED



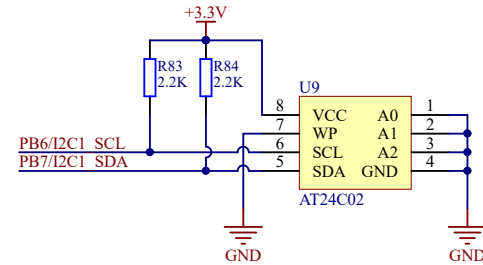
TFT LCD



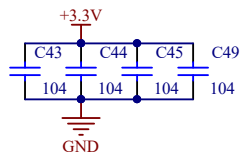
| | | |
|---|--------------|-----------------|
| http://www.geehy.com | ProjectName | APM32F107xC ETH |
| | DocumentName | Display&Button |
| | Page Number | 7/8 |



SPI_FLASH



EEPROM



| | | |
|---|--------------|------------------|
| http://www.geehy.com | ProjectName | APM32F107VC EVAL |
| | DocumentName | Memory |
| | Page Number | 8/8 |