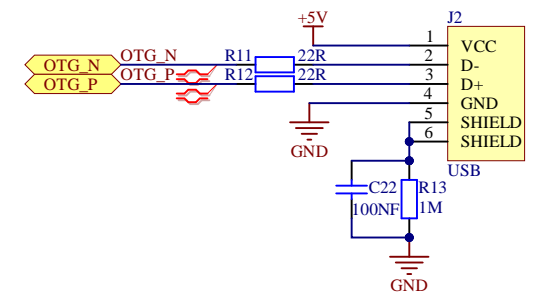
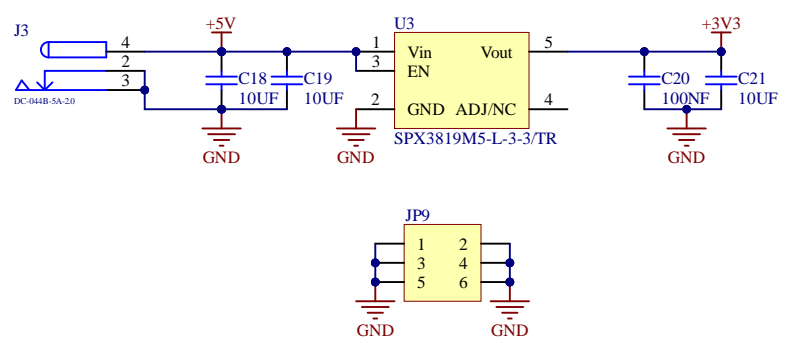
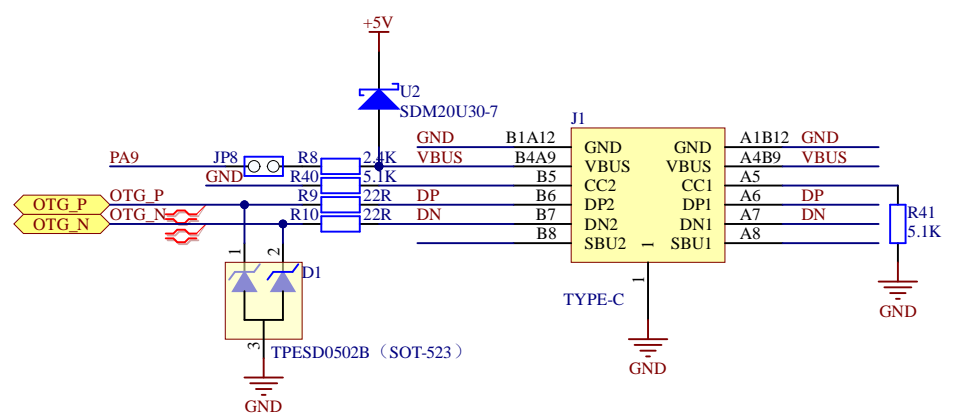
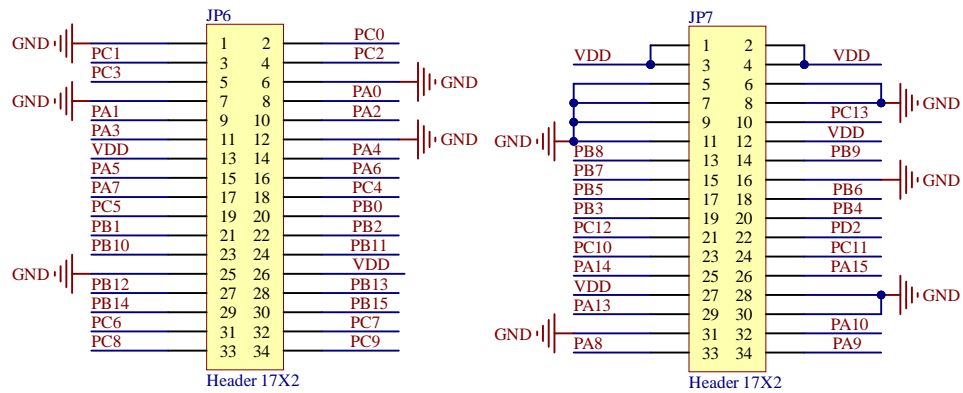


ProjectName	APM32F402R TinyBoard V1.0		
DocumentName	Minisystem.SchDoc		
Page Number	1/2	Date	2025/1/17



Geehy	ProjectName	APM32F402R TinyBoard V1.0		
	DocumentName	Power.SchDoc		
	Page Number	2/2	Date	2025/1/17