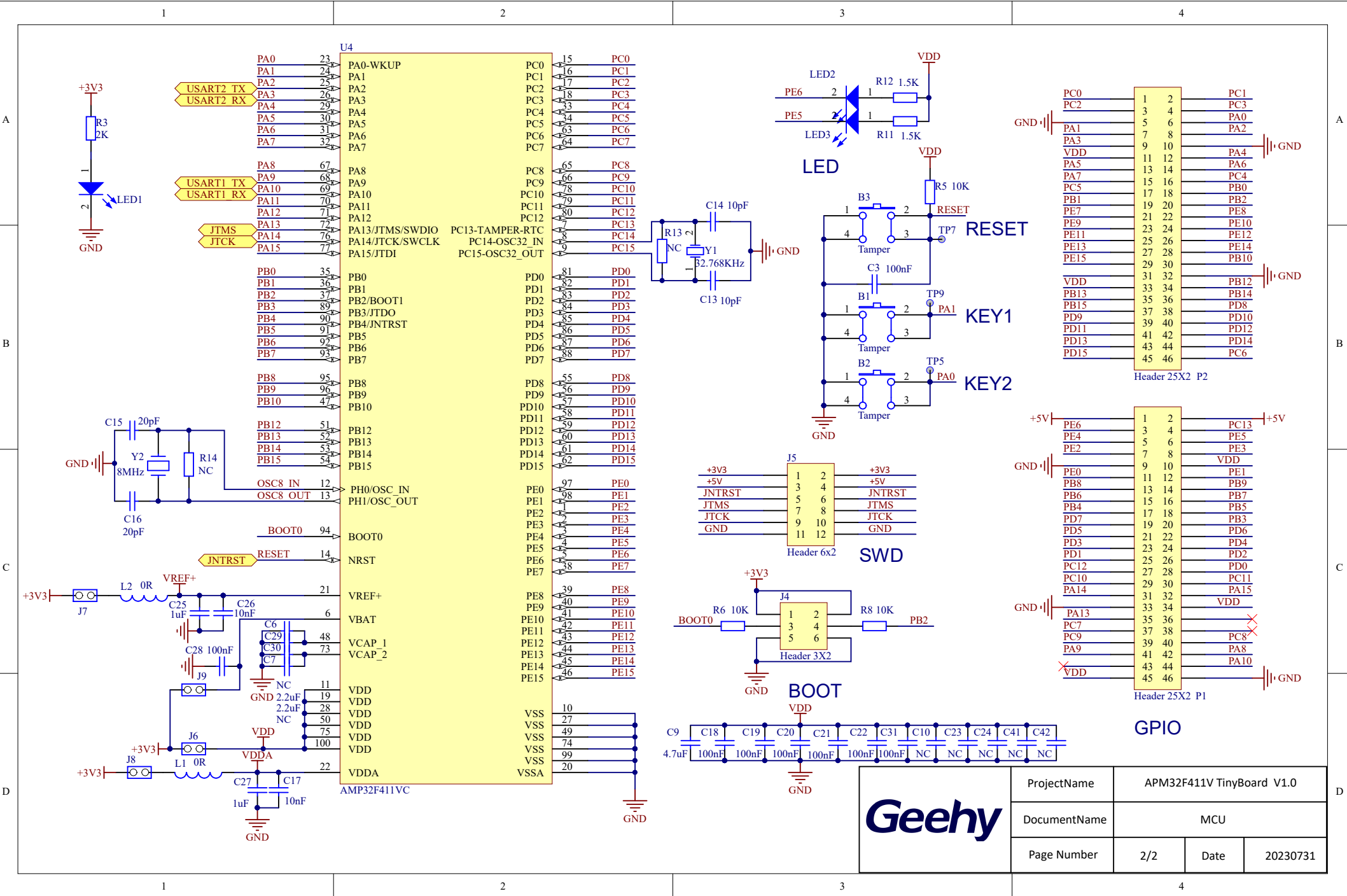


USB

| | | | | |
|--------------|--------------|---------------------------|------|----------|
| Geehy | ProjectName | APM32F411V TinyBoard V1.0 | | |
| | DocumentName | Power | | |
| | Page Number | 1/2 | Date | 20230731 |



| | | | | | |
|-------------|--|--------------|------|---------------------------|--|
| | | ProjectName | | AMP32F411V TinyBoard V1.0 | |
| | | DocumentName | | MCU | |
| Page Number | | 2/2 | Date | 20230731 | |